

i510WF

Dual Camera Driving Recorder

Quick Start Guide

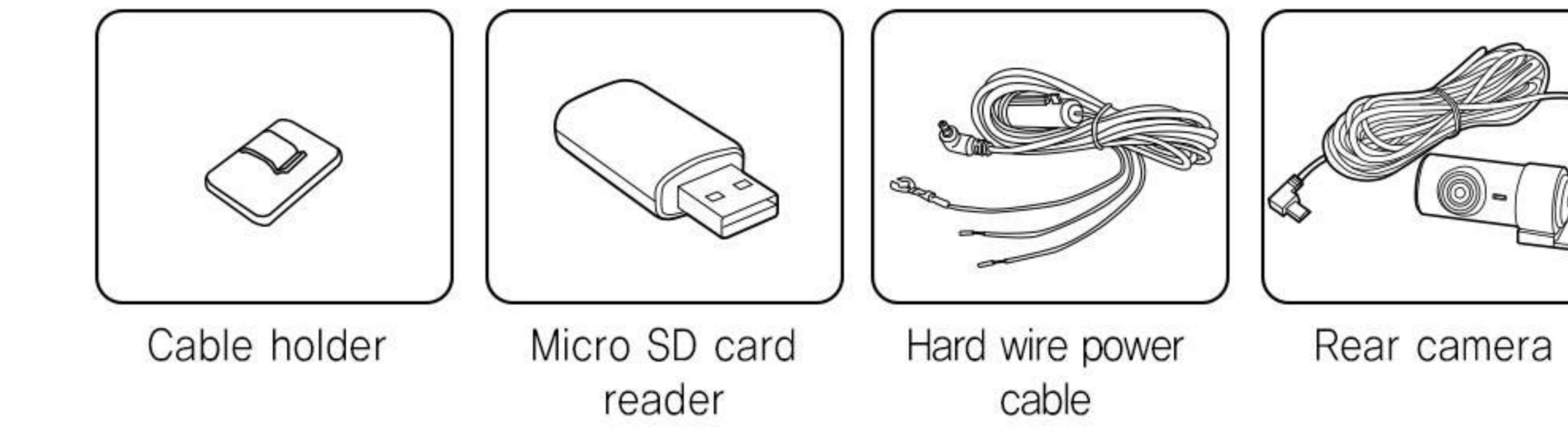
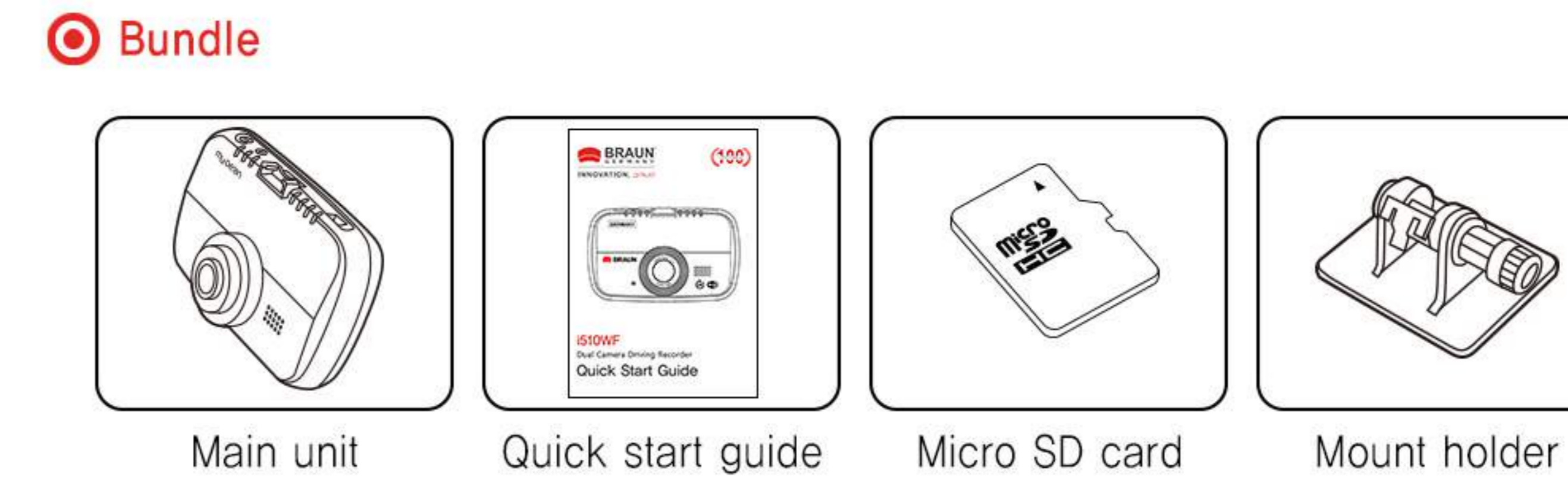
Getting Started ②

- ① Before use
 - 1 This manual simply explain functions to use the DVR.
 - 2 Due to the improvement in better quality of the product, the real designs and specifications are subject to change without notice.
 - 3 Please read this manual carefully and follow its instructions.
 - 4 The information in this manual may change without prior notice due to technical changes or upgrades.
 - 5 Our DVR also called vehicle recorder, it can record your driving process including images, voices etc.
 - 6 According to the different conditions, video or audio recording cannot work properly.
 - 7 Please use this product just for the reference of checking the recordings purpose only while you are driving.

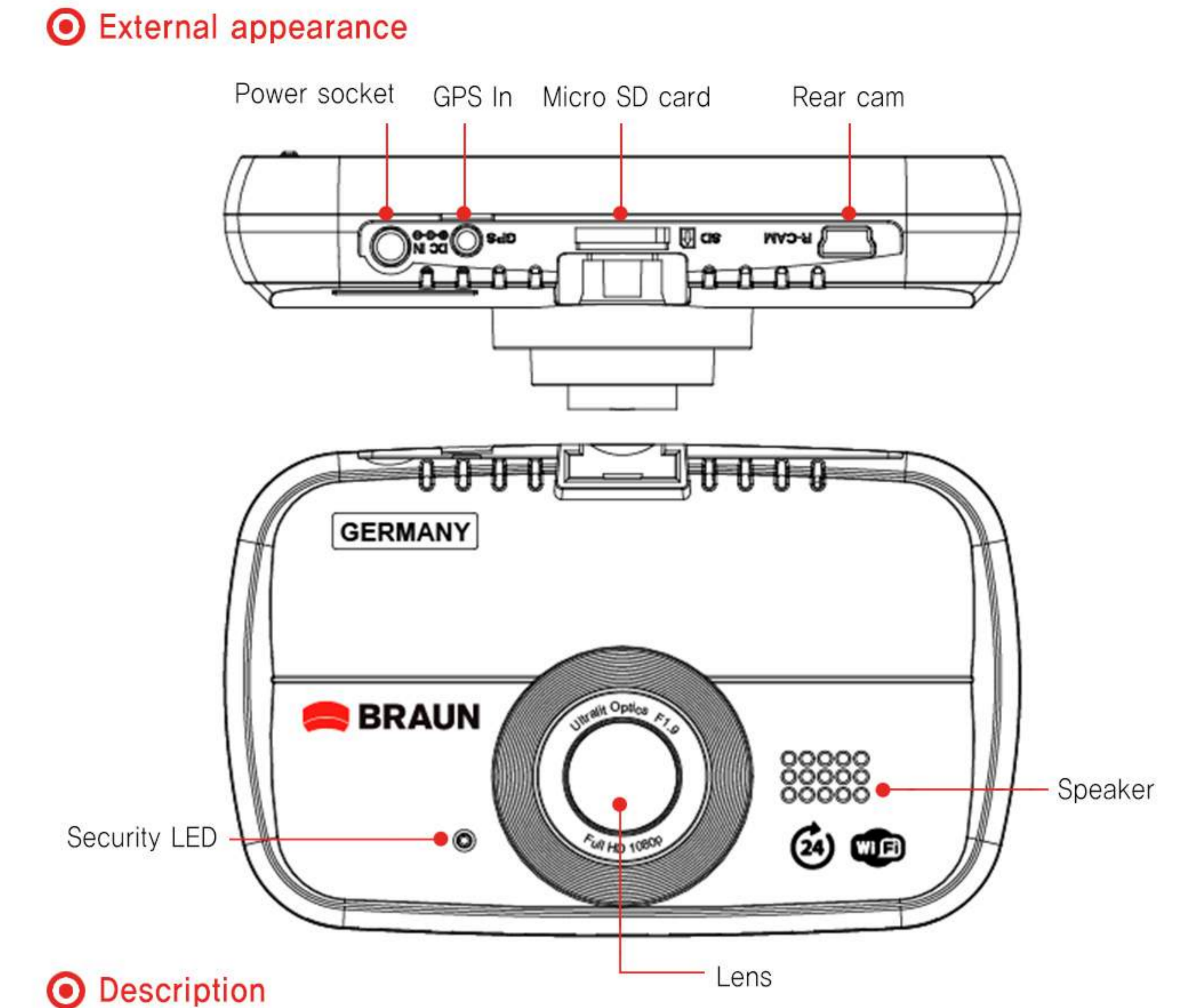
- ② Serial number
 - 1 Product serial number
 - 2 Attached on the lower surface of the product

Package Components ③

Due to improvement in better quality and performance of the product, the real components are subject to change without notice.

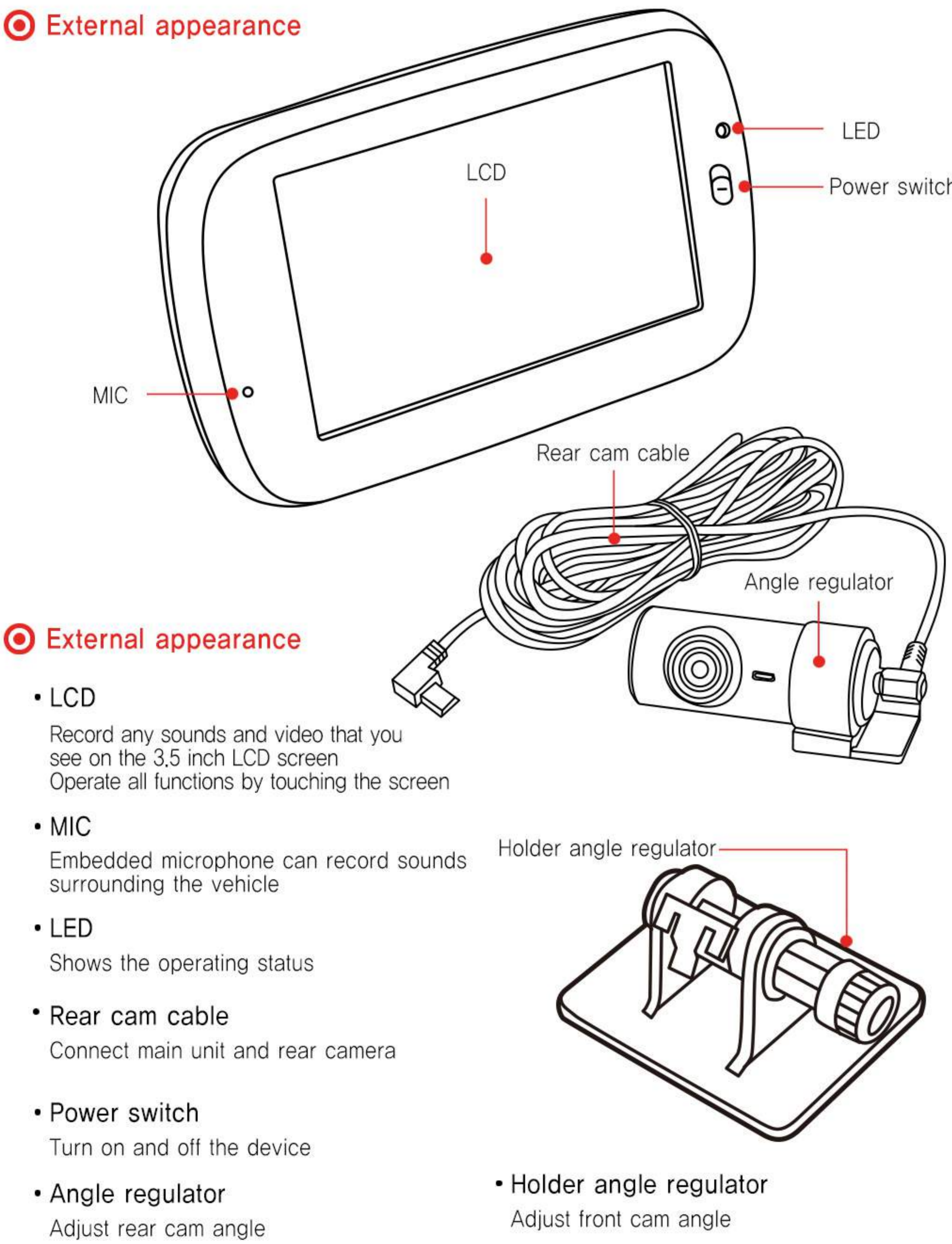


External Appearance ④



- ④ Description
 - Camera lens
Record the front view of vehicle.
 - Security LED
Shows the operating status.
 - Power socket
Connect power cable.
 - Rear cam
Connect rear view camera.
 - GPS-In
Connect external GPS cable.
 - Speaker
Vocal guidance and audio output.
 - Micro SD card slot
Micro SD card slot.

External Appearance ⑤



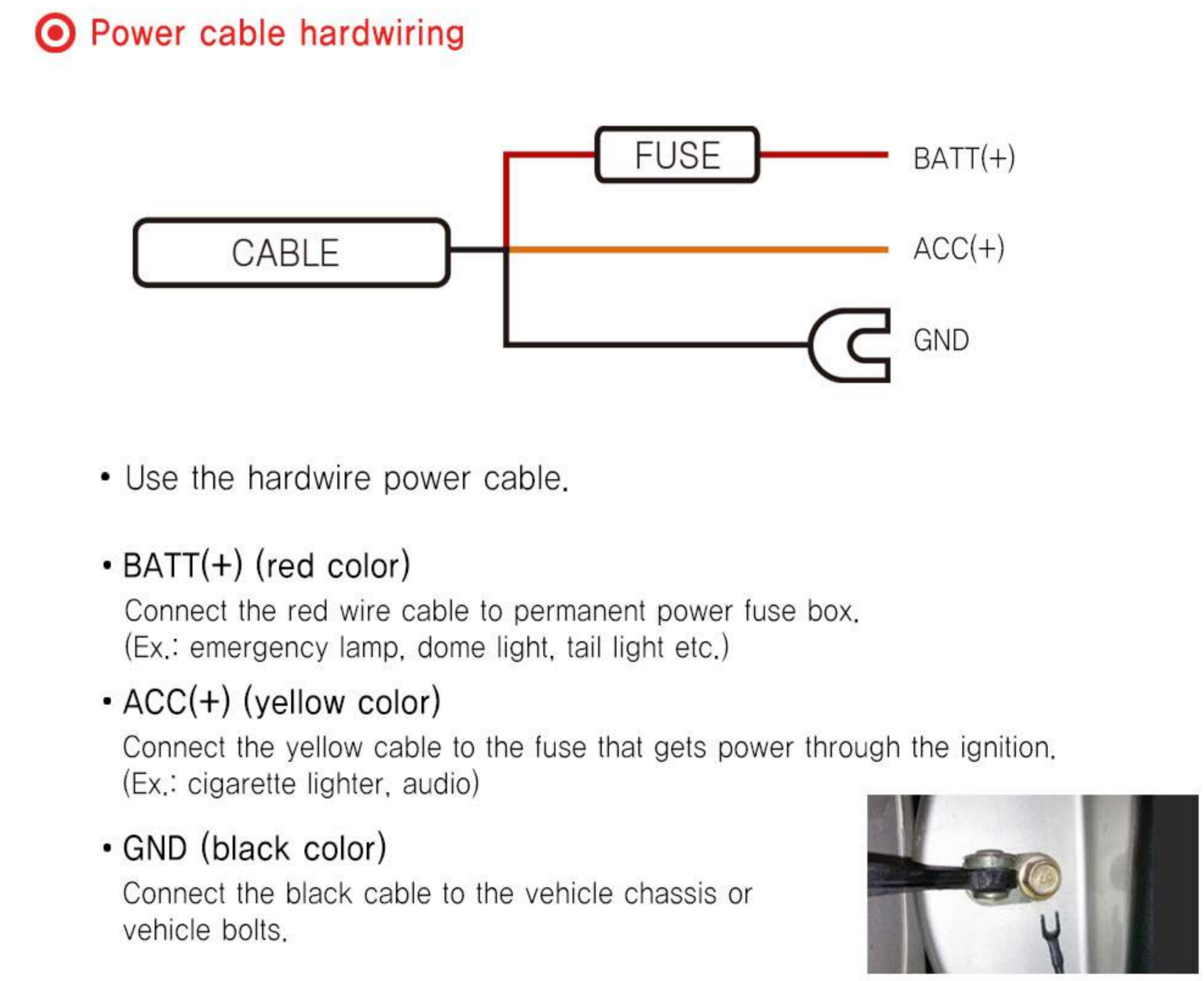
- ⑤ External appearance
 - LCD
Record any sounds and video that you see on the 3.5 inch LCD screen
Operate all functions by touching the screen
 - MIC
Embedded microphone can record sounds surrounding the vehicle
 - LED
Shows the operating status
 - Rear cam cable
Connect main unit and rear camera
 - Power switch
Turn on and off the device
 - Angle regulator
Adjust rear cam angle
 - Holder angle regulator
Adjust front cam angle

Installing Instruction ⑥

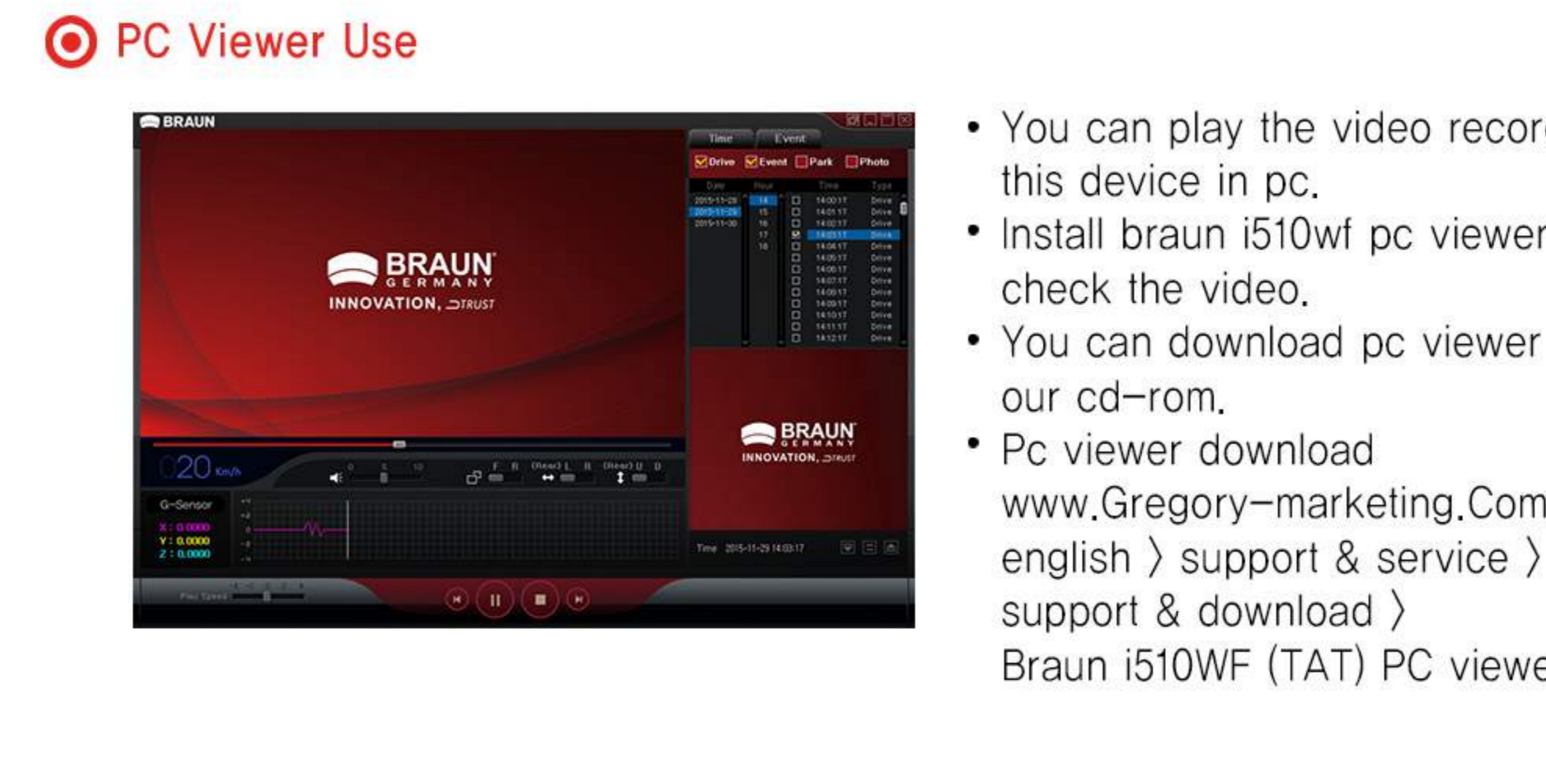


- ⑥ Installing Instruction
 - 1 Keep mount holder securely locked in the main camera. If it is locked well, you can hear "click" sound.
 - 2 Attach the double sided adhesive tape on the mount holder. Be careful to attach it because it is hard to detach it in case of wrong attachment.
 - 3 Fix the mount holder onto window screen. In order to avoid affecting driver's sight, it's better to choose a space in the back of room mirror, then adjust camera angle.
 - 4 Connect the rear camera into the main camera. Fix the rear camera on the rear window shield, and connect the rear cam cable between rear camera and RCAM port of main camera.
 - 5 Connect the power cable. There are 2kinds of power cable - Hard wire power cable and cigar power cable.
 - 6 After booting, you can see front and rear view on the LCD screen. Check if it records well and adjust camera angle if necessary.

Power Cable Hardwiring ⑦



- ⑦ Power cable hardwiring
 - Use the hardwire power cable.
 - BATT(+) (red color)
Connect the red wire cable to permanent power fuse box. (Ex.: emergency lamp, dome light, tail light etc.)
 - ACC(+) (yellow color)
Connect the yellow cable to the fuse that gets power through the ignition. (Ex.: cigarette lighter, audio)
 - GND (black color)
Connect the black cable to the vehicle chassis or vehicle bolts.



- ⑦ PC Viewer Use
 - You can play the video recored in this device in pc.
 - Install braun i510wf pc viewer to check the video.
 - You can download pc viewer in our cd-rom.
 - Pc viewer download www.Gregory-marketing.Com > english > support & service > support & download > Braun i510WF (TAT) PC viewer.exe

Self Check List ⑧

- ⑧ Self Check List
 - Video recording does not work.
 - Check whether SD card is inserted properly. SD card has its own life time. If you use it too long time it could not work well.
 - Voice recording does not work.
 - Check whether voice REC function is activated. Check that MIC hole is not blocked by anything.
 - There is no power on the device.
 - Check the power switch on.
 - Reconnect the offered power cable. If power connection have no problem, check the cable fuse.
 - LCD screen goes dark.
 - After car engine starts LCD turns on and off as some seconds go on. If you touch any place on LCD, it turns on. If it does not turn on, call after service center.
 - GOOGLE map does not display on the screen.
 - This device use external GPS antenna. (This is an optional product and sold separately) Check the GPS antenna cables are connected well. Check that there is nothing to block GPS signal reception.
 - Rear camera does not work.
 - Check whether the R-cam cable is connected well to the device. Check there is nothing around camera lens.
 - LCD screen goes dark.
 - Tinted window glass can affect to the screen brightness. Check the better position and fix again the device. Or you can adjust the brightness in setting, or through PC viewer program.

Main Screen Guide 9

Main screen

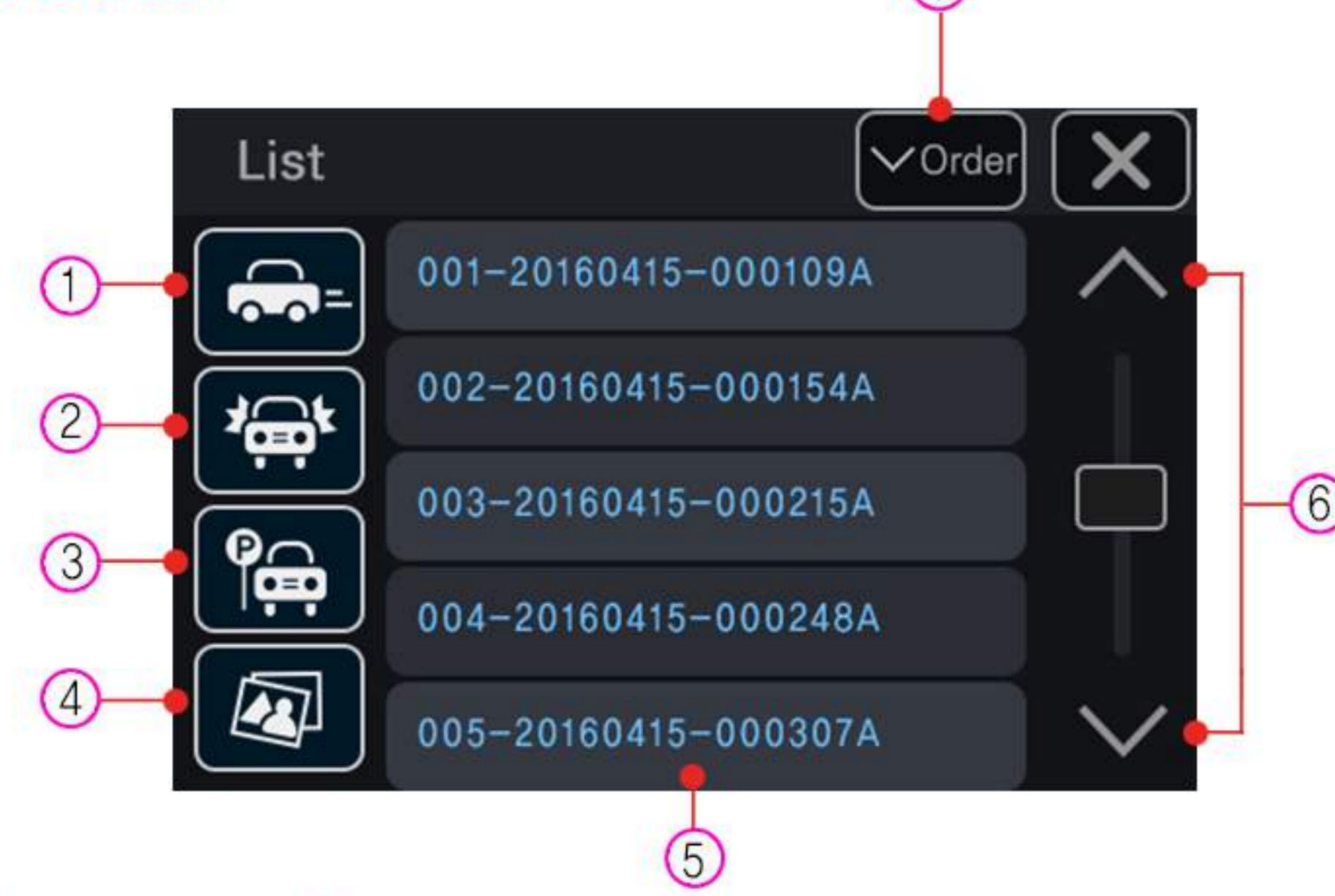


Main screen guide

- 1 Current time
 - 2 Photo capture proceeding
 - 3 Ext GPS connect
 - 4 Voice recording
 - 5 Rear cam connect
 - 6 SD card detect
 - 7 Current video REC mode Driving/Event/Parking
 - 8 Front display area
 - 9 Rear display area
 - 10 Video file playback
 - 11 Photo capture (Front/Rear)
 - 12 Turn on/off voice REC.
 - 13 Setting
 - 14 To turn off display If you touch any area it returns on.
- ICON description**
- GPS connect
 - Voice REC
 - Rear cam connect
 - SD card detect
- Current REC mode**
- Drive
 - Event
 - Parking
- Voice REC Voice Off

File List Screen Guide 7

File list screen



File list screen guide

- 1 To choose driving recording file list
When the ignition turns on, the device will begin recording automatically till the ignition turned off. In driving mode, all video and audio recordings are saved in "Driving" folder.
- 2 To choose event recording file list
In the case of an impact, event recording mode will be activated through G-sensor detector and the recorded files will be saved in "Event" folder.
- 3 To choose parking recording file list
For parking mode recording, you have to connect the power to permanent power source of car. If a movement is detected through motion-sensor in parking mode, the recordings can be activated and start filming for one min max recording length. If there are no more movements, it stops recording and goes into sleep mode.
- 4 To choose photo file list
If you click photo icon in main screen, front and rear image is saved in SD card
- 5 Shows file list in each folder
- 6 Move the page.
- 7 Change the order of the list.

File Playback Screen Guide 11

File playback screen



File playback screen guide

- 1 To go to file list
- 2 To play a previous file
- 3 Playback / Pause
- 4 To play a next file
- 5 To change rear or front camera display
- 6 Display

Settings Screen Guide 12

Settings

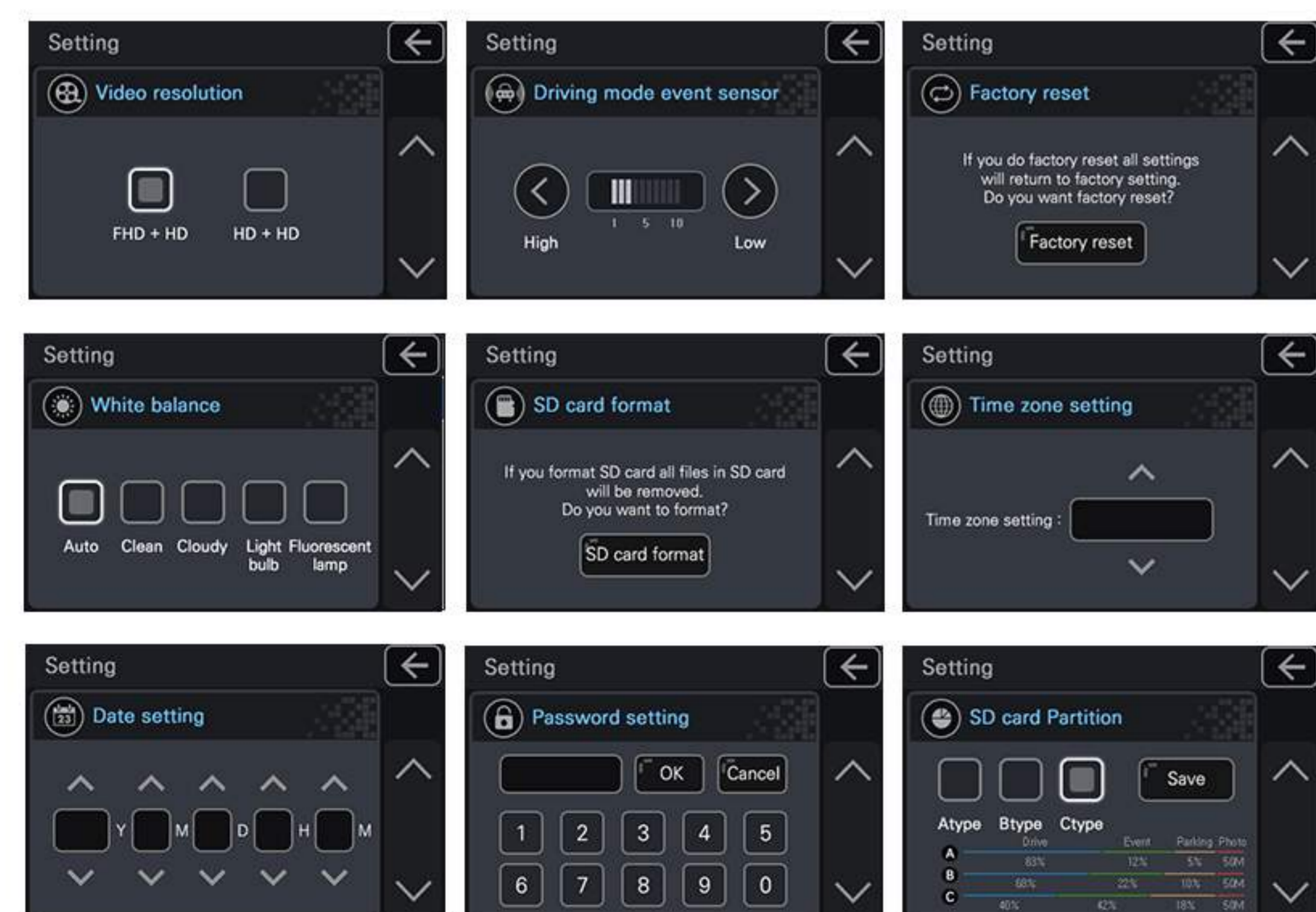


Settings Screen Guide 13

Settings



Settings screen examples



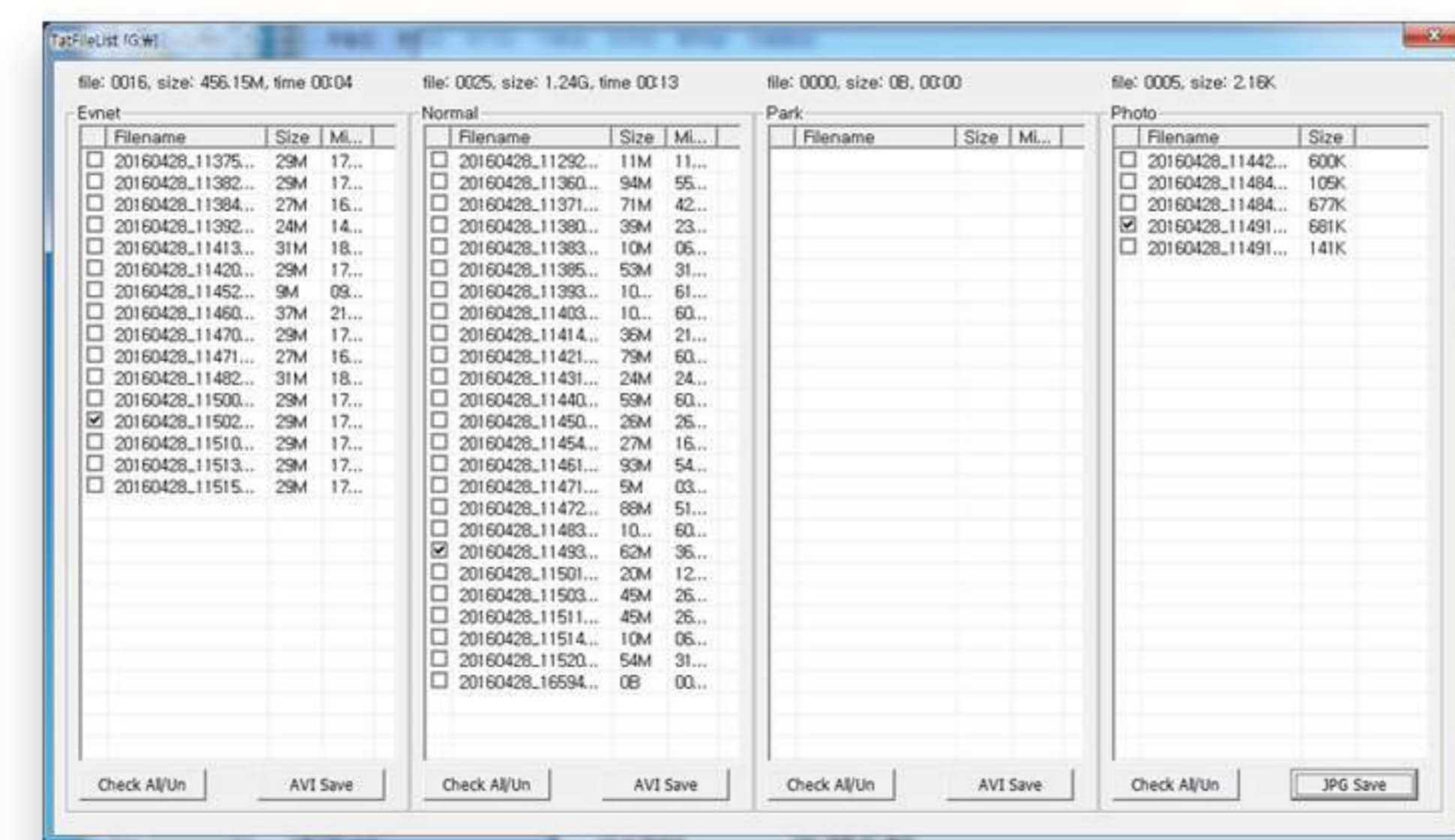
File Saving Guide 14

Open TAT file

This DVR saves files by TAT function which do not require SD card format. Files saved by TAT are not shown in public player, but shown in only bundled PC viewer or browser. Refer to below TAT browser manual.

How to change and save TAT file in PC

- 1 Execute AVI file converter.exe stored in bundled SD card
- | Name | Date | Type | Size |
|------------------------|----------------|-------------|-------|
| AVI File Converter.exe | 2016-03-25 ... | exe Program | 166KB |
| ESVAVIMuxer.dll | 2016-03-24 ... | exe Program | 88KB |
| TATLib.dll | 2016-03-24 ... | exe Program | 316KB |
| VipLib.dll | 2016-03-24 ... | exe Program | 316KB |
- 2 Double click the file. Or after selecting a file click AVI button in bottom then the file will be converted to AVI file.



- 3 File converting
- 4 File convert completed



- 5 You can play AVI files in public PC video player.

Specifications 15

Specifications

• Video type	Front Full HD (1080p) / 30fps, Rear HD (720p) / 25fps
• Audio	MIC built in
• Screen	3.5inch (480x320 pixels) full touch LCD
• Micro SD card	Support up to 128GB Class 10 Micro SDHC (Suggest to use Micro SDHC write 90MB/s or higher) Format free
• GPS	external smart GPS, Optional (not included)
• Recording mode	Driving/Event/Parking/Photo
• Power input	12V~24V (12V@230mA)
• G-sensor	3axis gravity sensor
• Motion sensor	Detect motion in parking mode
• Memory format	TAT included Possible to format in settings
• Security LED	Front side
• Video playback	In main unit LCD, Bundled PC viewer
• Lowpower prevent	Detect car battery low power to prevent discharge
• Auto power off	In abnormal high temperature, DVR power off automatically
• Working temperature	-10°C ~ 60°C
• Size	110 x 68 x 17 (mm, W/D/H)

